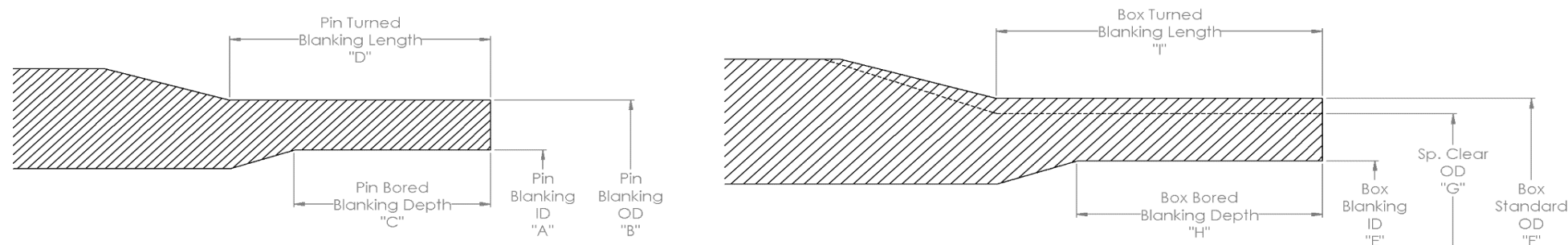


EVRAZ NA EVRlock QB2 BLANKING DIMENSIONS

Date:
07-Mar-20



NOTE: 4 1/2" OD 11.6# QB2 is not compatible with 4 1/2" OD 13.5# ,15.1# and 17.0# connections. In addition, 5 1/2" OD 15.5# and 17# QB2 are not compatible with 5 1/2" OD 20# and 23# QB2 connections. 7" OD 23# and 26# QB2 is not compatible with 7" OD 29#, 32# and 35# QB2 connections. To account for increased wall thickness, there is a design change between these weights. If designing an accessory that crosses over these sizes (ie crossovers, etc) please contact EVRAZ

Diameter	Nominal Weight/ft	Nominal Wall	Pin Blanking				Box Blanking			
			ID	OD	Bored Depth	Turned Length	ID	OD	Bored Depth	Turned Length
			A	B	C	D	E	F	H	I
4.5	11.6	0.250	4.000	4.500	3.570	4.732	3.986	5.250	4.0316	4.532
4.5	13.5	0.290	3.920	4.500	4.167	5.329	3.920	5.250	4.6285	5.132
4.5	15.1	0.337	3.826	4.500	4.167	5.329	3.826	5.250	4.6285	5.132
4.5	17	0.380	3.740	4.500	4.167	5.329	3.740	5.250	4.6285	5.132
5.5	15.5	0.275	4.950	5.500	3.870	5.032	4.930	6.300	4.3315	4.832
5.5	17	0.304	4.892	5.500	3.870	5.032	4.872	6.300	4.3315	4.832
5.5	20	0.361	4.778	5.500	4.466	5.628	4.778	6.300	4.9284	5.432
5.5	23	0.415	4.670	5.500	4.466	5.628	4.670	6.300	4.9284	5.432
6.625	20	0.288	6.049	6.625	4.070	5.232	6.074	7.390	4.5316	5.032
6.625	24	0.352	5.921	6.625	4.070	5.232	5.946	7.390	4.5316	5.032
6.625	28	0.417	5.791	6.625	4.070	5.232	5.816	7.390	4.5316	5.032
7	23	0.317	6.366	7.000	4.170	5.332	6.342	7.875	4.6315	5.132
7	26	0.362	6.276	7.000	4.170	5.332	6.252	7.875	4.6315	5.132
7	29	0.408	6.184	7.000	4.766	5.928	6.183	7.875	5.2284	5.732
7	32	0.453	6.094	7.000	4.766	5.928	6.093	7.875	5.2284	5.732
8.625	28	0.304	8.017	8.625	4.170	5.332	7.989	9.625	4.6315	5.132
8.625	32	0.352	7.921	8.625	4.170	5.332	7.893	9.625	4.6315	5.132
9.625	36	0.352	8.921	9.625	4.370	5.532	8.889	10.625	4.8315	5.332
9.625	40	0.395	8.835	9.625	4.370	5.532	8.803	10.625	4.8315	5.332
9.625	43.5	0.435	8.755	9.625	4.370	5.532	8.723	10.625	4.8315	5.332
Tolerances:			-0.010"	-0.000"	-0.000"	-0.000"	-0.005"	-0.000"	-0.000"	-0.000"
			+0.010"	+1% OD	+0.010"	+0.010"	+0.005"	+0.077"	+0.010"	+0.010"
C Calculation	[Ref to Gauge Pt] + "S"									
D Calculation	[Ref to Gauge Pt] + "S" + 0.162 + 1.000		For QB2 [Ref to Gauge Pt] = 1.6427							
H Calculation	[Ref to Gauge Pt] + "S" + 0.162 + 0.300 Ref		For QB2 Heavy Wall [Ref to Gauge Pt] = 2.2396							
I Calculation	([Coupling Length]/2) + 0.500									